



Niagara Development,

Consulting Contracting Development Acquisition

PROJECT LOCATION:
1101 Mill Street
Niagara, Wisconsin 54151

Office 314.780.3742
Fax 314.432.2429
ericspirtas@ejspirtasgroup.com

Fall - 2010

PRIVATE TREATY OFFERING

Former Niagara "NewPage" Mill - Equipment Sales

Contact: Eric J. Spirtas TODAY - 314.780.3742 / ericspirtas@ejspirtasgroup.com

EQUIPMENT TYPE: Hedemora

- Specific Name Hedemora LP Disc Filter
- Model 3660 with low pressure housing
- Dimensions 10 Discs, 3.66 meter diameter, 4.425 meter shell length
- Age / Condition Installed in 1990, well maintained

OPERATING DATA:

- Capacity 280 BDSTPD
- Feed cons. 1.5 %
- Discharge cons. 12 %
- Freeness 120-140 ml CSF
- Operating Temp 100 F, 212 F. maximum
- Construction Stainless Steel
- Outlet 3 Fraction Filtrate Channels

ATTACHMENTS:

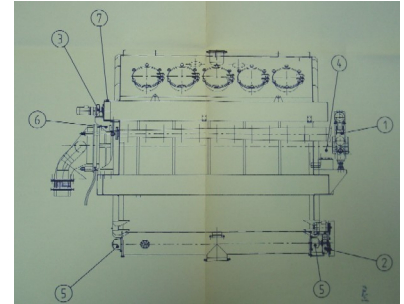
- Theory of Operation
- Mechanical Drawing



Hedemora Removed



Hedemora Installed



Hedemora Drawing Picutue

Respectfully Submitted
~~Niagara Development, LLC~~

Eric J. Spirtas
President